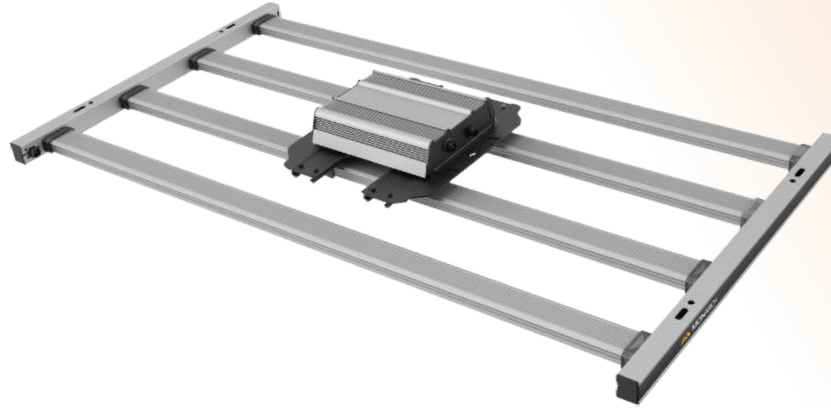


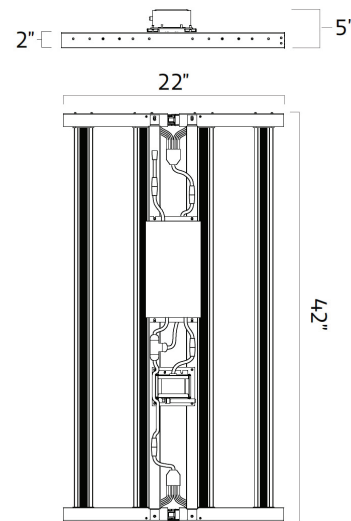
Ideal for the flowering phase, Monarch 310-C packs industrial-grade technology and top-notch uniformity into a compact form factor. Boost growth for tomatoes, peppers, cannabis and other high daily light integral crops.



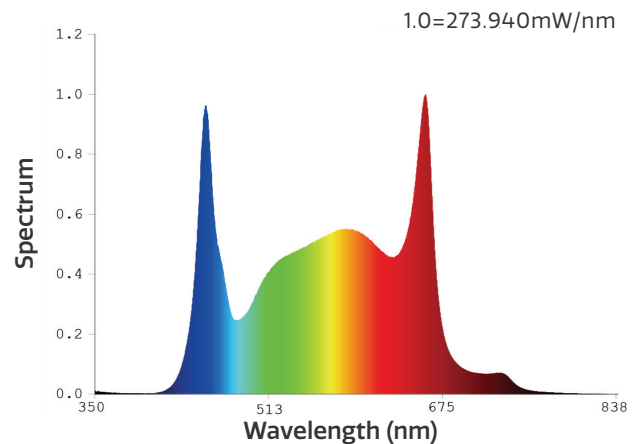
### Performance Summary

Peak Power:	310W
Coverage Area:	2'x4'
PPF:	775 $\mu\text{mol/s}$
Dimensions:	42"x23.5"x5"
Weight:	25lb
LED Bars:	4
Efficiency:	2.5 $\mu\text{mol/J}$
L90:	36,000 hrs
Power Factor:	>91%
Light Distribution:	120°
Thermal Management:	Passive
BTU:	1,057 BTU
Input Voltage:	100-277V, 277-480V*
Mounting Height:	1'-4'
Dimming:	0-10V/PWM
Certifications:	UL 8800, UL 1598 Wet-Location Rated, IP65 Rated
Warranty:	3 Years, Optional 5-Year Extended

### Dimensions



### Spectrograph



### Amp Calculations

VOLTAGE	AMPS
110V	2.81A
220V	1.41A
240V	1.29A
277V	1.12A
480V	0.65A