

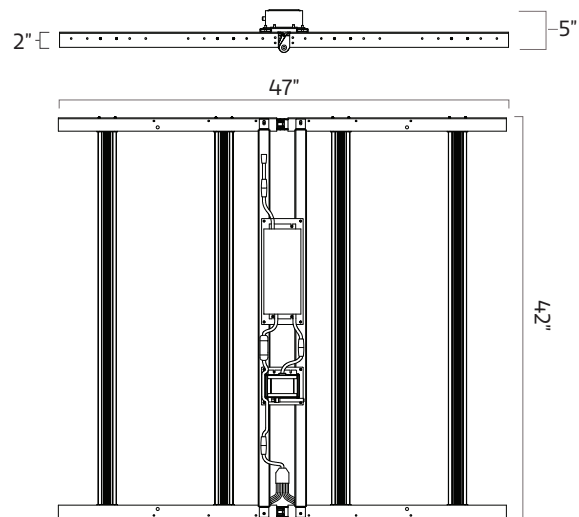
Designed with industrial-grade materials for vertical environments, Monarch 310 provides light intensity specific to vegetative growth, encouraging optimal internodal placement, root development and plant stretch control.



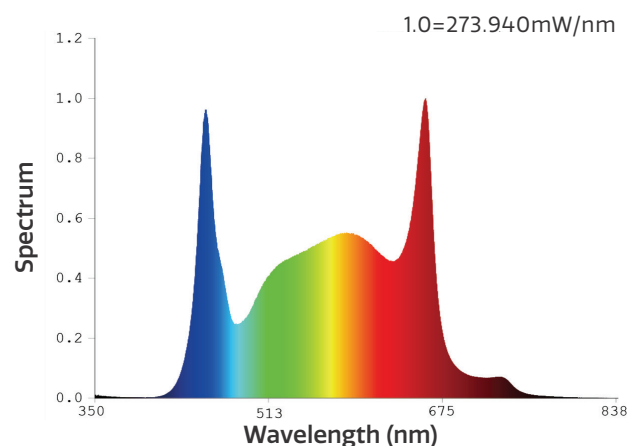
Performance Summary

Peak Power:	310W
Coverage Area:	4'x4'
PPF:	775 $\mu\text{mol/s}$
Dimensions:	42"x47"x5"
Weight:	25lb
LED Bars:	4
Efficiency:	2.5 $\mu\text{mol/J}$
L90:	36,000 hrs
Power Factor:	>91%
Light Distribution:	120°
Thermal Management:	Passive
BTU:	1,057
Input Voltage:	100-277V, 277-480V*
Mounting Height:	1'-4'
Dimming:	0-10V/PWM
Certifications:	UL 8800, UL 1598 Wet-Location Rated, IP65 Rated
Warranty:	3 Years, Optional 5-Year Extended

Dimensions



Spectrograph



Amp Calculations

VOLTAGE	AMPS
110V	2.81A
220V	1.41A
240V	1.29A
277V	1.12A
480V	0.65A